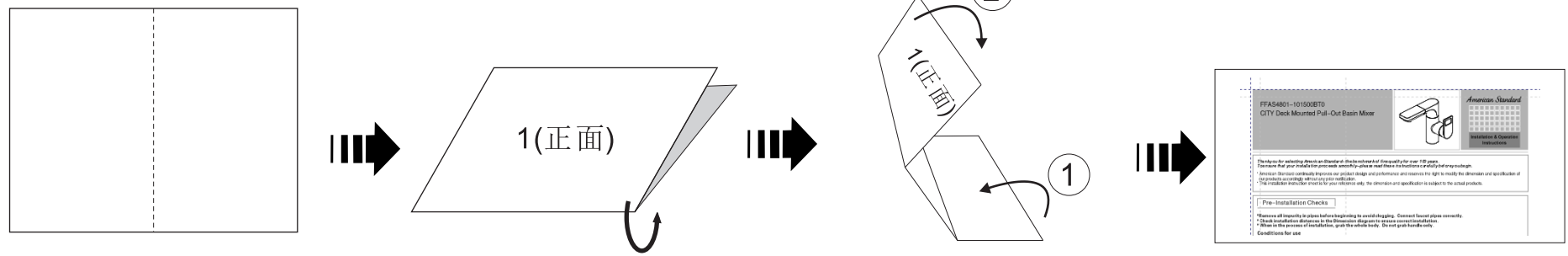


Tolerance, Unless Otherwise Stated, Is	
Above 0.5 to and including 6	±0.1
Excess 6 to and including 30	±0.2
Excess 30 to and including 120	±0.3
Excess 120 to and including 315	±0.5
Excess 315 to and including 1000	±0.8
Excess 1000 to and including 2000	±1.2



1. 说明书双面印刷完成  
(420x297=A3) 共1张

2. 说明书折叠-1

3. 说明书折叠-2

4. 说明书折叠完成

制作说明：

1. 说明书完成的尺寸：210\*100
2. 材料：80克的白色纸
3. 印刷说明：说明书为420x297(A3) 双面印刷，并折叠成210x100大小完成(详看图示)
4. 印刷颜色：灰度
5. 印刷时，内容准确，清晰，墨色均匀，表面清洁。

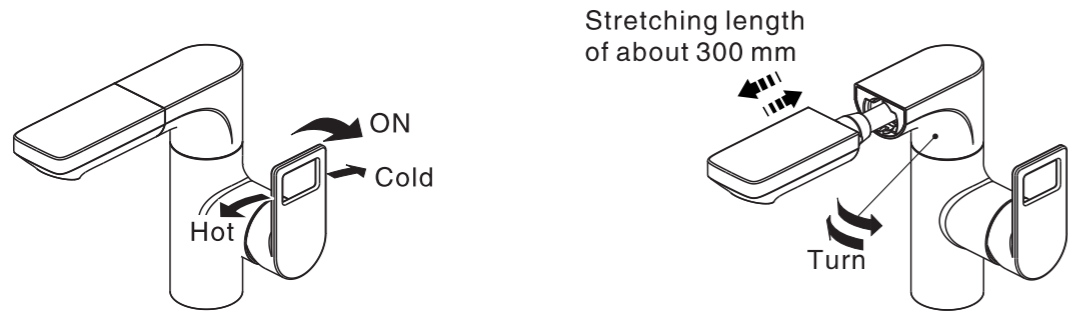
				DESIGN	黄卓桓	2018.07.25	TITLE	Instructions	
				CHECKED	利华沃	2018.07.25	REF	泰国 英文说明书	
				APPROVED	郭军浩	2018.7.25		FFAS4801-101500BT0	
								爱居城市单孔面盆龙头(带抽拉)	
				SCALE	MATERIAL	WEIGHT	DWG NO.		
REV	DESCRIPTION	DATE	NAME				FF1-CN521K00332399	American Standard	

## Test / Usage

### 1 Test

1. Move handle to "OFF" position. Turn on water at mains to check for any leakages.
2. Move handle in all directions to ensure that handle is moving smoothly.
3. Adjust handle to "ON" position to check water flow.

### 2 Usage

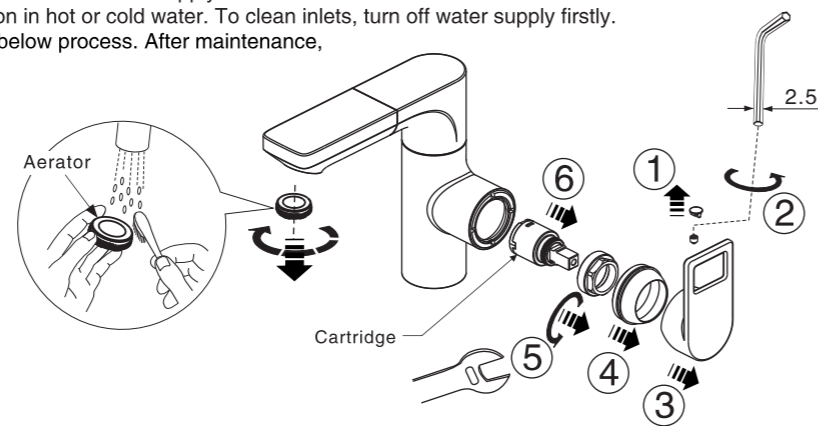


## Trouble Shooting Guide

Issue	Component	Checkpoint	Corrective Action
Poor flow rate	Aerator	Check any impurities	Remove all impurities
	Water supply valve	Check valve position	Open it to full valve
	Hose	Check if hose is twisted	Untwist the hose
Leakage	Cartridge packing	Check cartridge install	Fastening the cartridge; or replace the cartridge
	Junction	Check the connection	Reinstall
Deviant Temperature	Water supply valve	Check if the water from supply valve is enough or not	Open the water supply valve
	Water supply system	Check if the supply pipe connected correct or not	Connect the hot and cold water pipe correctly

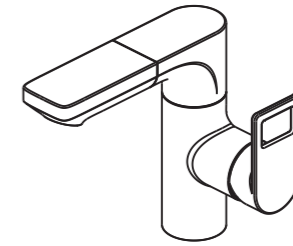
## Care & Maintenance

- \* AERATOR may accumulate dirt causing distorted and reduced water flow. Remove and clean AERATOR and then replace it.
- \* If faucet drips, operate handle several times from "off" to "on". Do not apply excessive force.
- \* Clogged CARTRIDGE inlets may cause flow reduction in hot or cold water. To clean inlets, turn off water supply firstly.
- \* If you need to maintain the faucet, please follow the below process. After maintenance, please reset the parts and check flow performance.



**Attention:**  
Please leave manual with customer post installation.

FFAS4801-101500BT0  
CITY Deck Mounted Pull-Out Basin Mixer



American Standard

Installation & Operation  
Instructions

**Thank you for selecting American-Standard - the benchmark of fine quality for over 100 years. To ensure that your installation proceeds smoothly--please read these instructions carefully before you begin.**

- \* American Standard continually improves our product design and performance and reserves the right to modify the dimension and specification of our products accordingly without any prior notification.
- \* This installation instruction sheet is for your reference only, the dimension and specification is subject to the actual products.

## Pre-Installation Checks

- \* **Remove all impurity in pipes before beginning to avoid clogging. Connect faucet pipes correctly.**
- \* **Check installation distances in the Dimension diagram to ensure correct installation.**
- \* **When in the process of installation, grab the whole body. Do not grab handle only.**

### Conditions for use

- \* **Water pressure condition: 0.05~0.75MPa (Recommended water pressure condition: 0.1~0.5MPa)**
- \* **Water supply for this product should be Municipal drinking water.**
- \* **Environment Temperature: 1~55°C**
- \* **Water Temperature: 4°C ~ 90°C, Recommended the highest hot water temperature 60°C.**
- \* **Steam is not allowed to use. The cold and hot water pipes must not be reserved.**

## Recommended Tools and Materials



Adjustable Wrench



Screwdriver



Tape Measure



Teflon Tape



Pencil



Electric drill

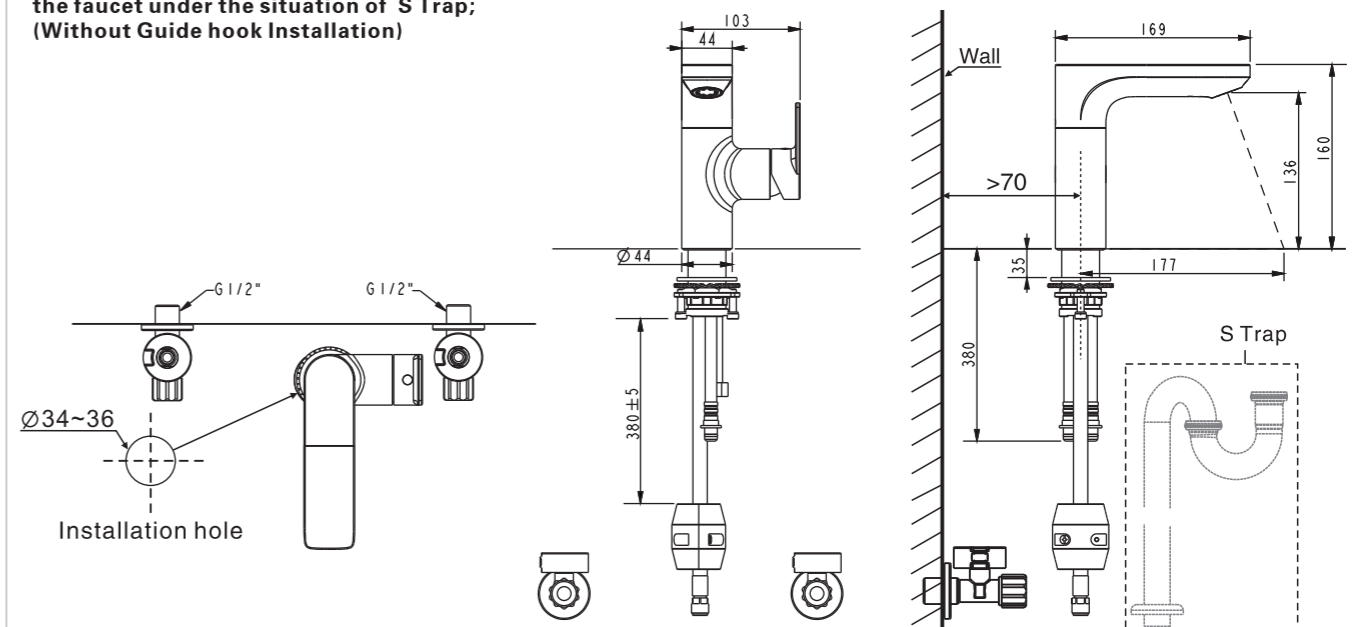


Sinker

## Dimension\_ (1)

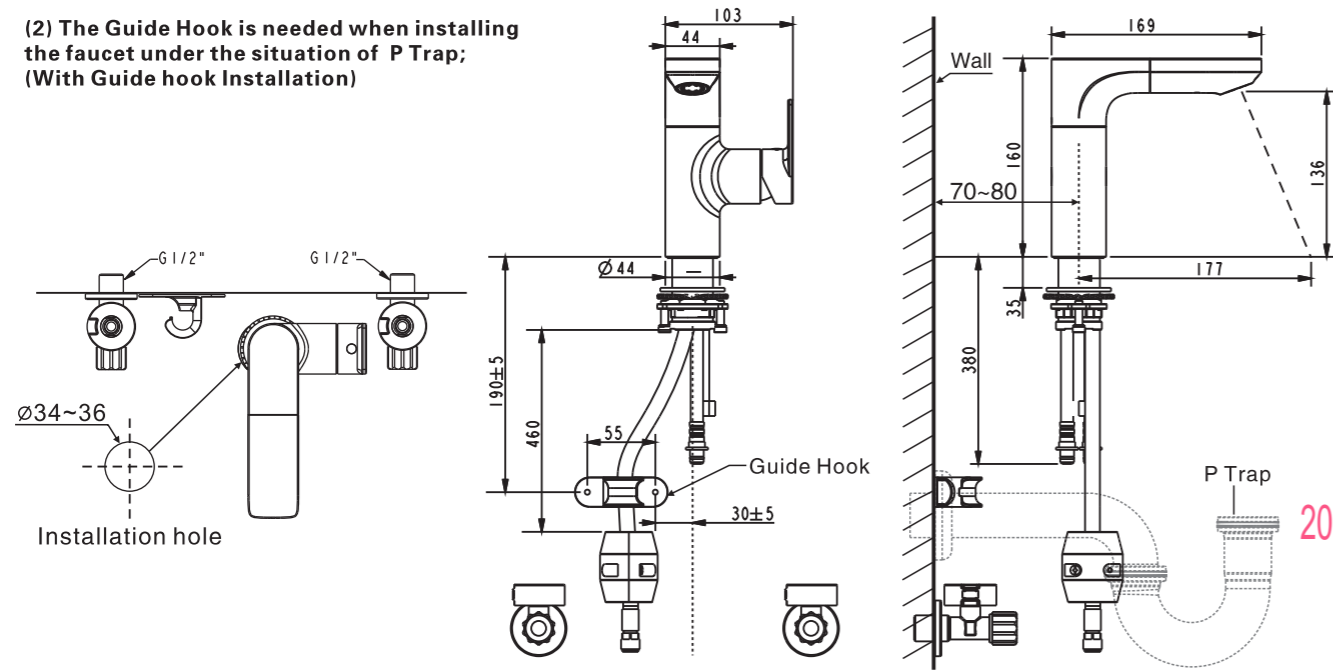
Unit: mm

**(1) The Guide Hook isn't needed when installing the faucet under the situation of S Trap; (Without Guide hook Installation)**

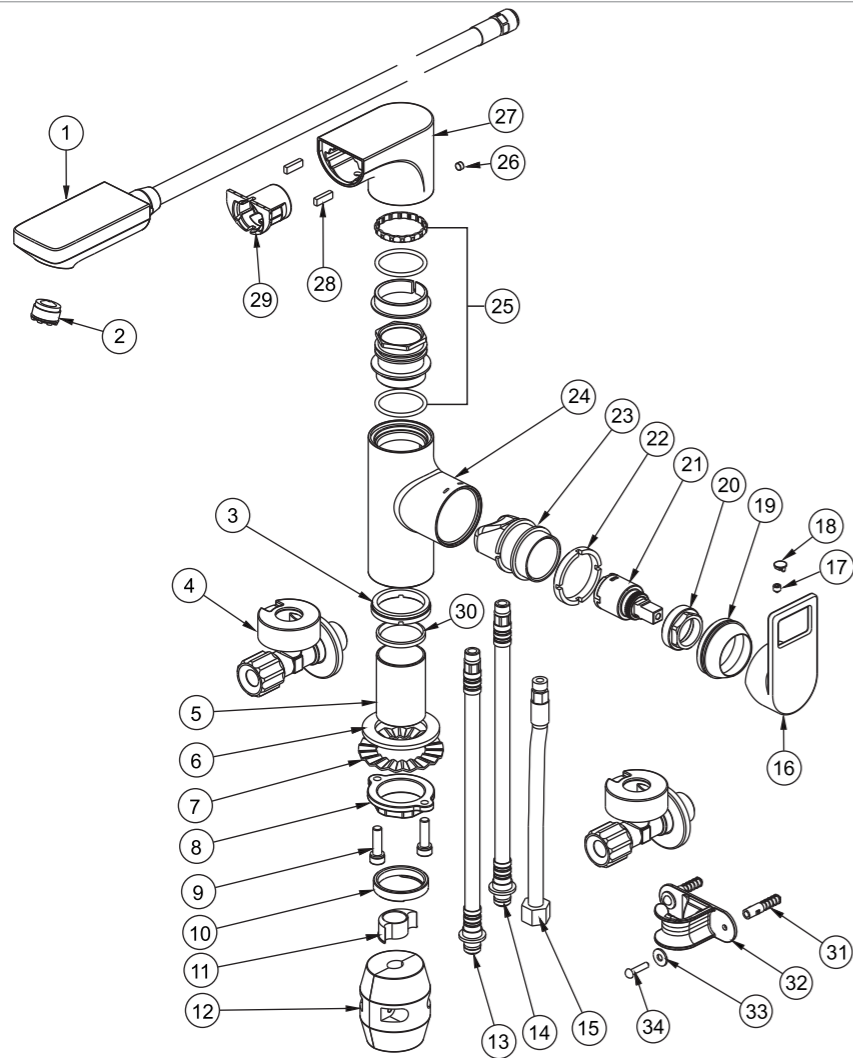


## Dimension\_(2)

(2) The Guide Hook is needed when installing the faucet under the situation of P Trap;  
(With Guide hook Installation)



## Parts List

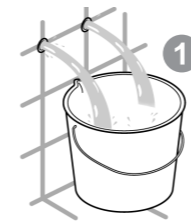


### Parts List

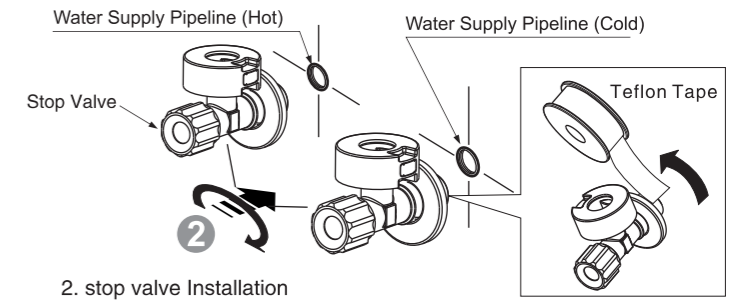
No.	Part Name	Q'ty
1	Spout	1
2	Aerator	1
3	Nut	1
4	Stop valve	2
5	Shank	1
6	Washer	1
7	Washer	1
8	Nut	1
9	Screw	2
10	Nut	1
11	Pipe socket	1
12	Weight	1
13	Hose (Red)	1
14	Hose (Blue)	1
15	Hose	1
16	Handle	1
17	Screw	1
18	Index button	1
19	Cap	1
20	Nut	1
21	Cartridge	1
22	Nut	1
23	Cartridge seat	1
24	Body	1
25	Connector	1
26	Screw	1
27	Elbow pipe	1
28	Magnet	1
29	Bush	1
30	Washer	1
31	Expand Bushing	2
32	Guide hook	1
33	Washer	2
34	Screw	2

## Installation

### 1 Stop Valve Installation

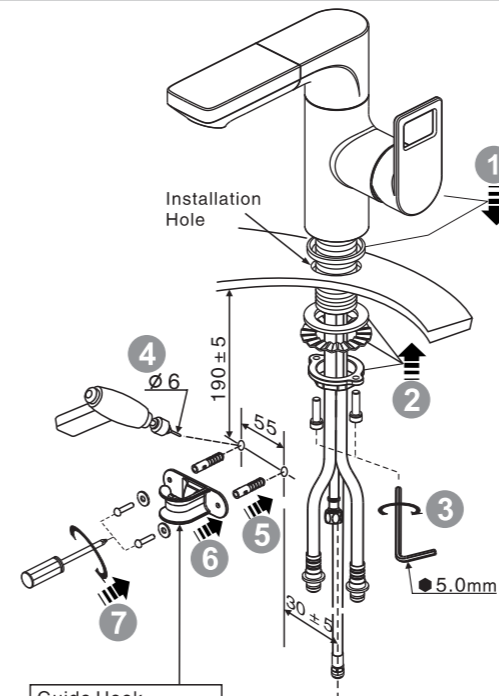


1a. Consult the dimension drawing and lay the pipes.  
1b. Wash and clean the water supply pipeline.



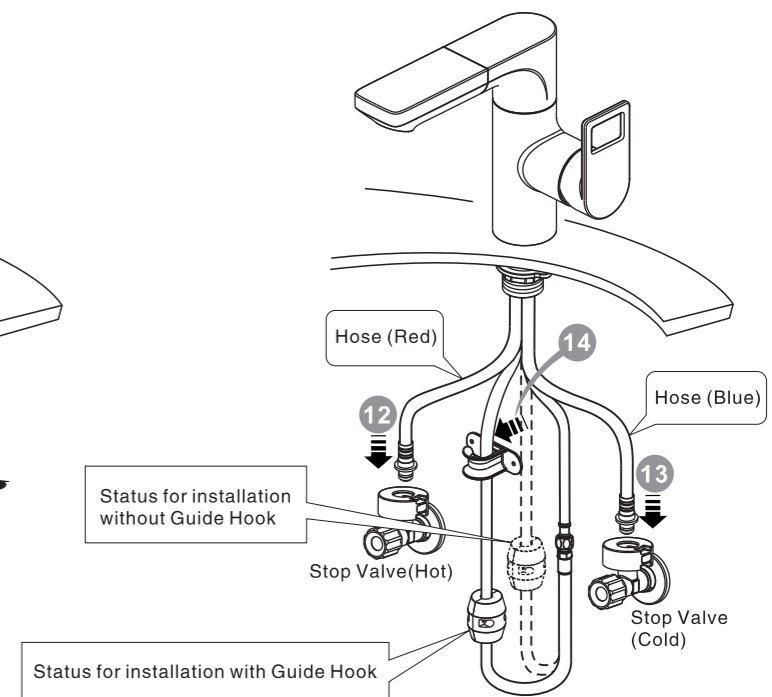
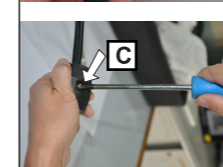
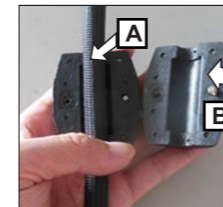
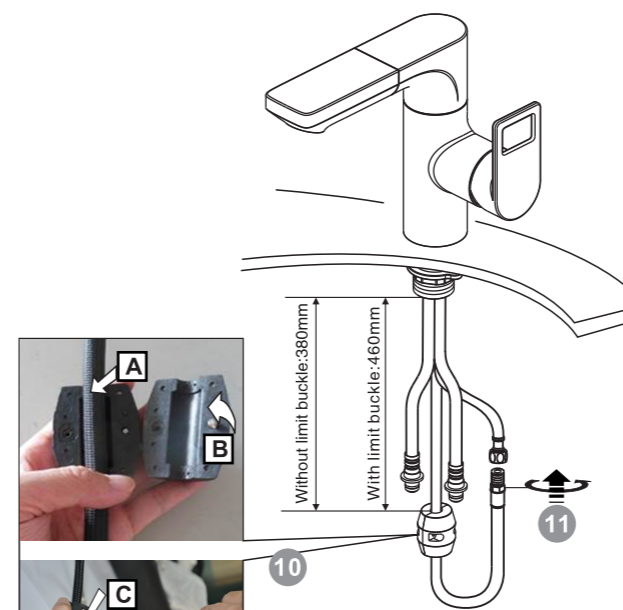
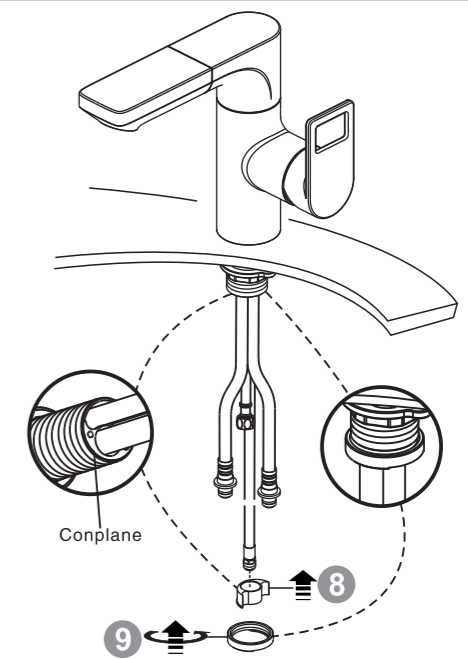
2. stop valve Installation

### 2 Faucet Installation



Guide Hook  
(optional spare part)

No need to install the Guide Hook if there is no any obstacle around the Weight



Status for installation without Guide Hook

Status for installation with Guide Hook

2018年8月6日

A/O